

F

E

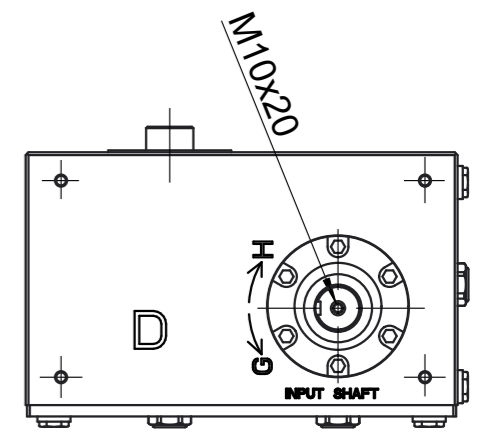
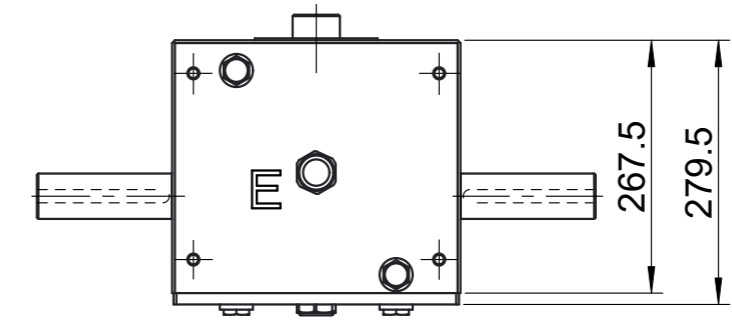
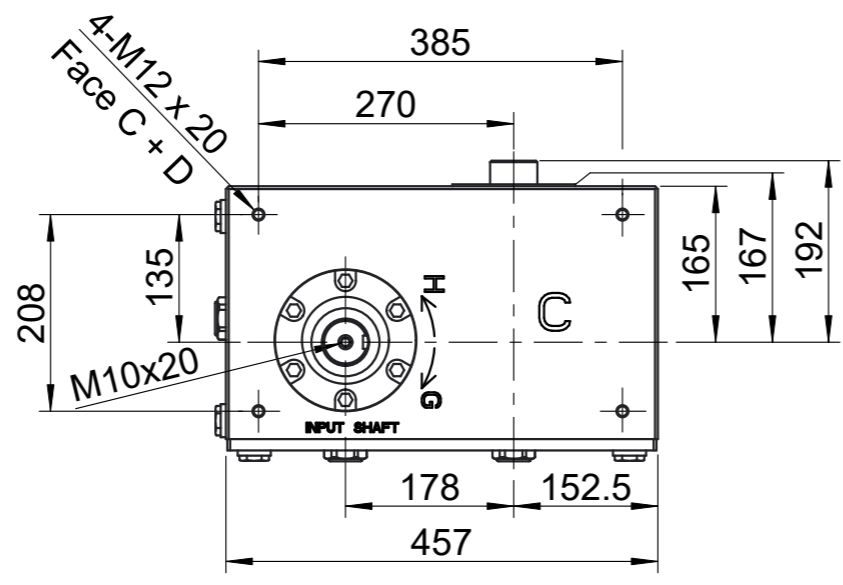
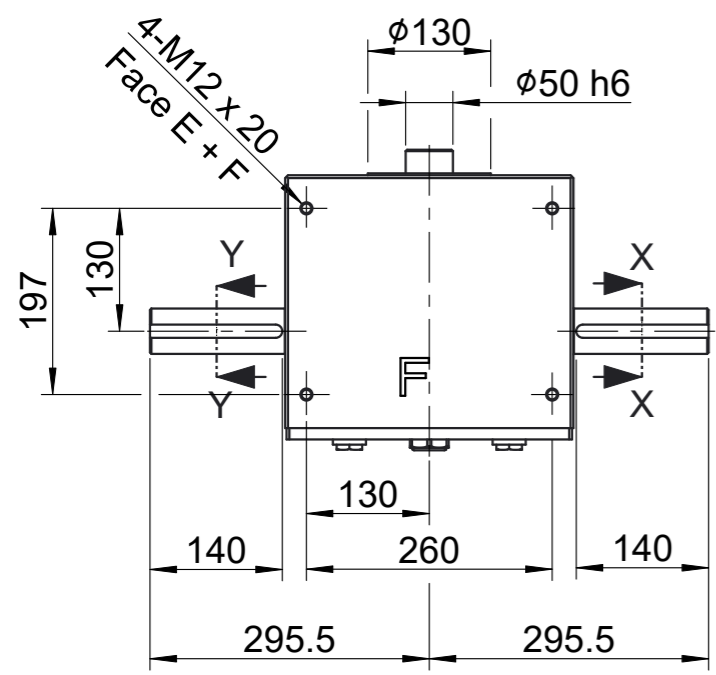
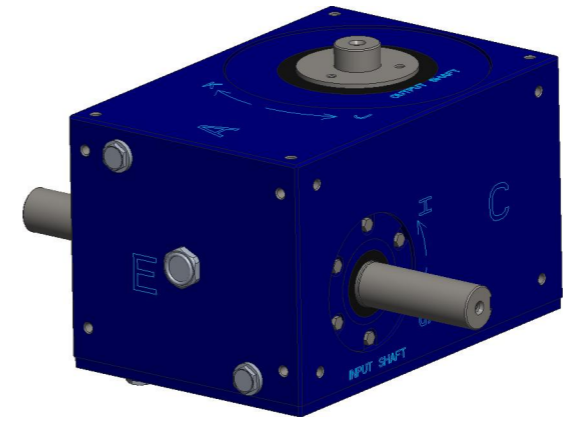
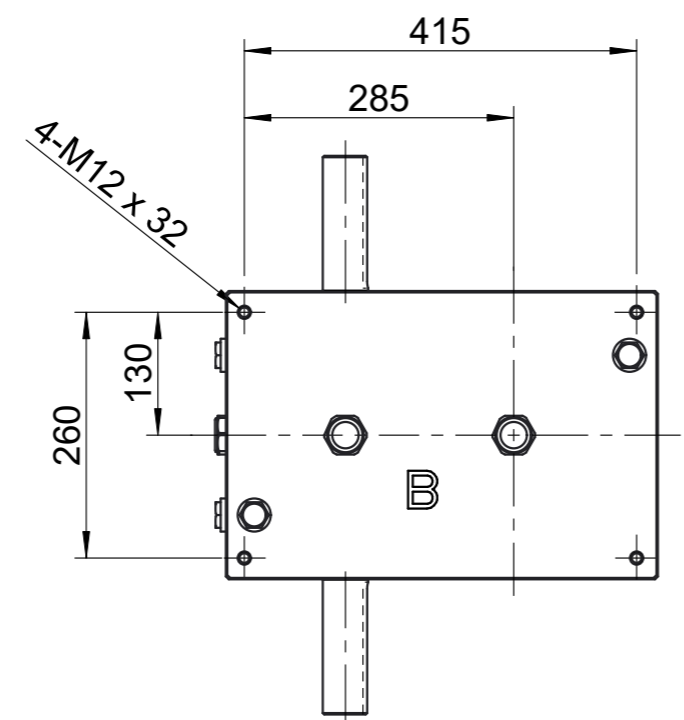
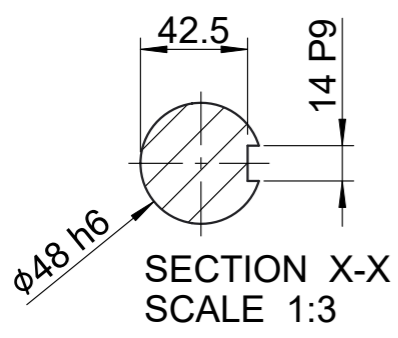
D

C

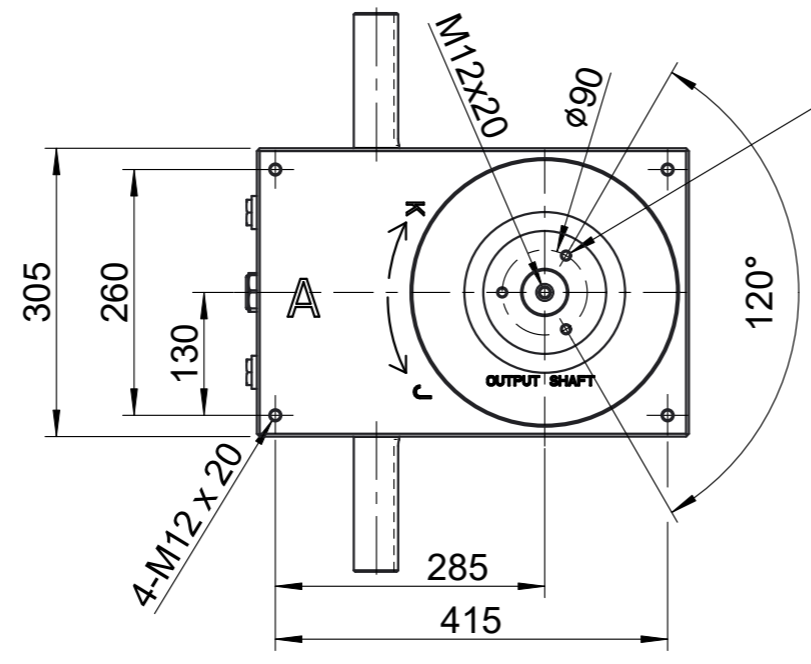
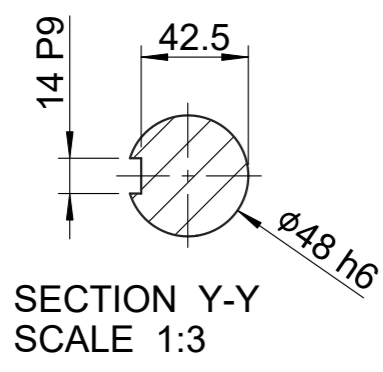
B

A

Size	GC180
No of stops	
Motion law	
Index angle	
Cam geometry	
Cam type	
Cam handing	
Mounting position	
Mounting face	
Input shaft projection	



Keyways will be in the position shown when cam is on the center of dwell.



3-M10x20
One hole will appear in this position when cam is on dwell

Masstab		Datum	Name	Material
1:8		24.06.21	ps	All. Toleranz ISO2768-fH, ISO13920B
Bearb.		Gew. in kg: 0.000		Ersetzt durch
Gepr.				Ersatz für
				Indexer GC180
Witzbergstr. 23 CH-8330 Pfäffikon				Blatt 1
Nr. Änderung Datum Name Schutzvermerk n. DIN 34 beach. EDV Nr. GC180				1 Bl
				A3